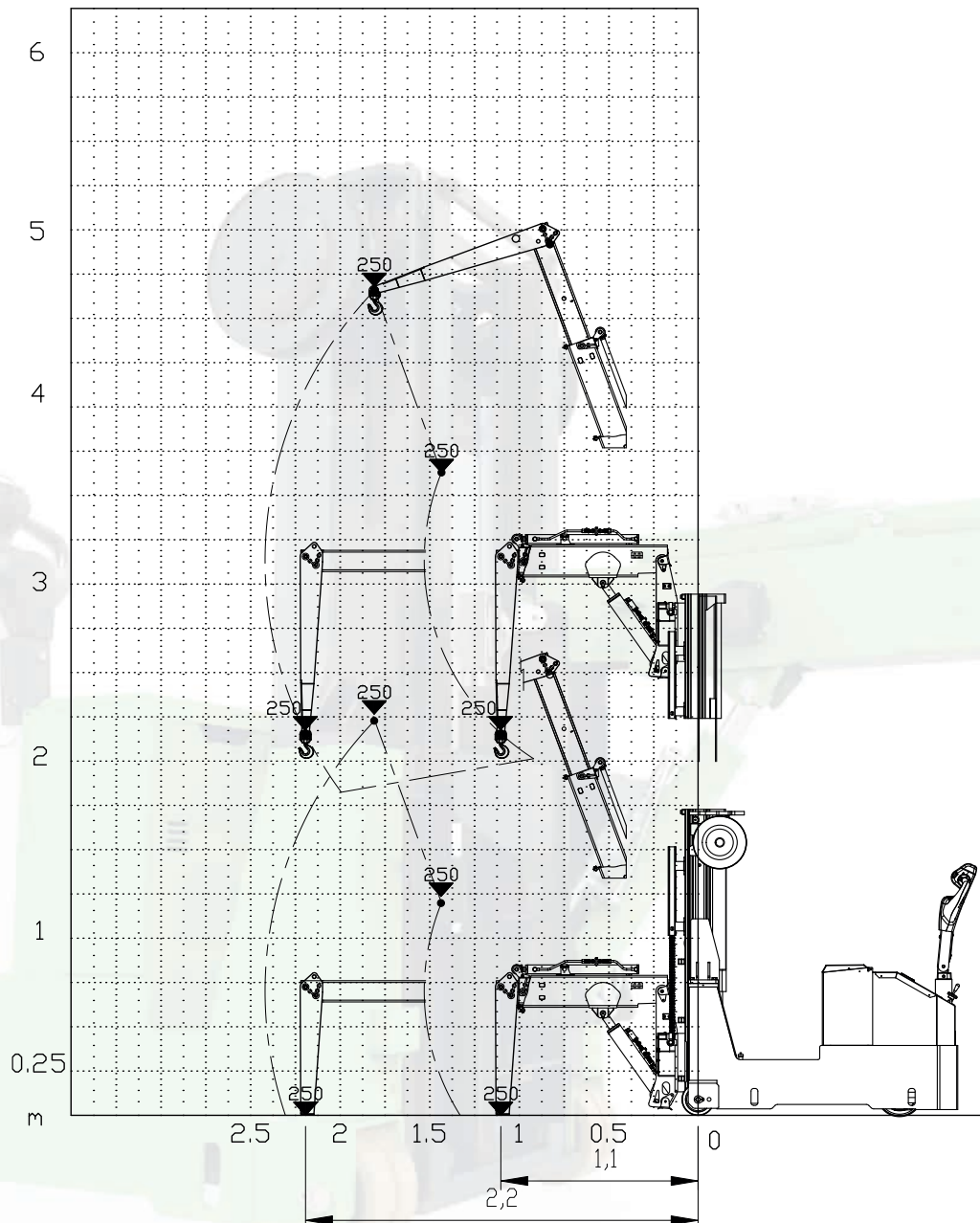


# Mechanical extension 0.25t



Load charts

Capacity in kg



Mechanical extension  
Hook  
Position 1

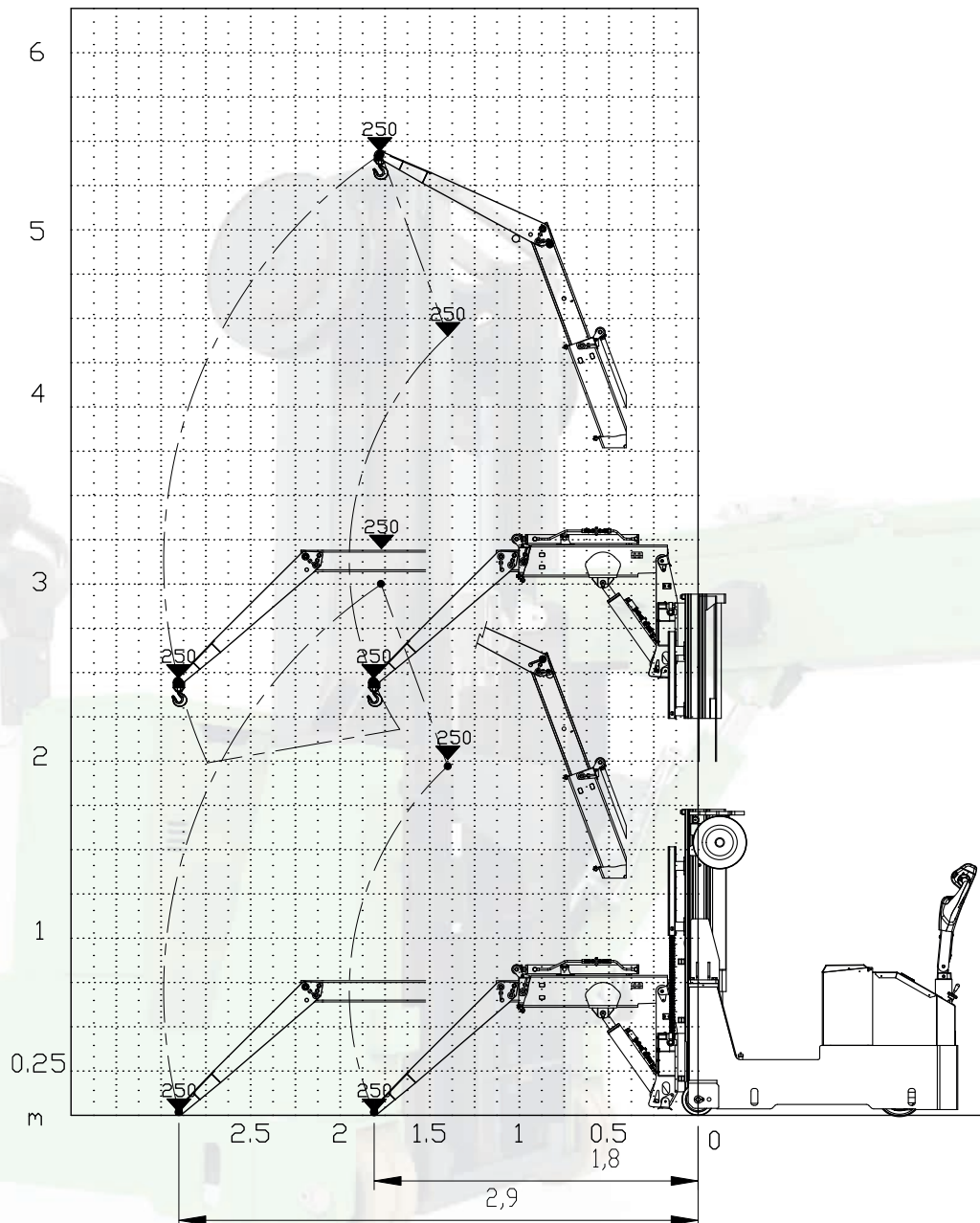
Maximum capacity  
**0,25t**

# Mechanical extension 0.25t



Load charts

Capacity in kg



Mechanical extension  
Hook  
Position 2

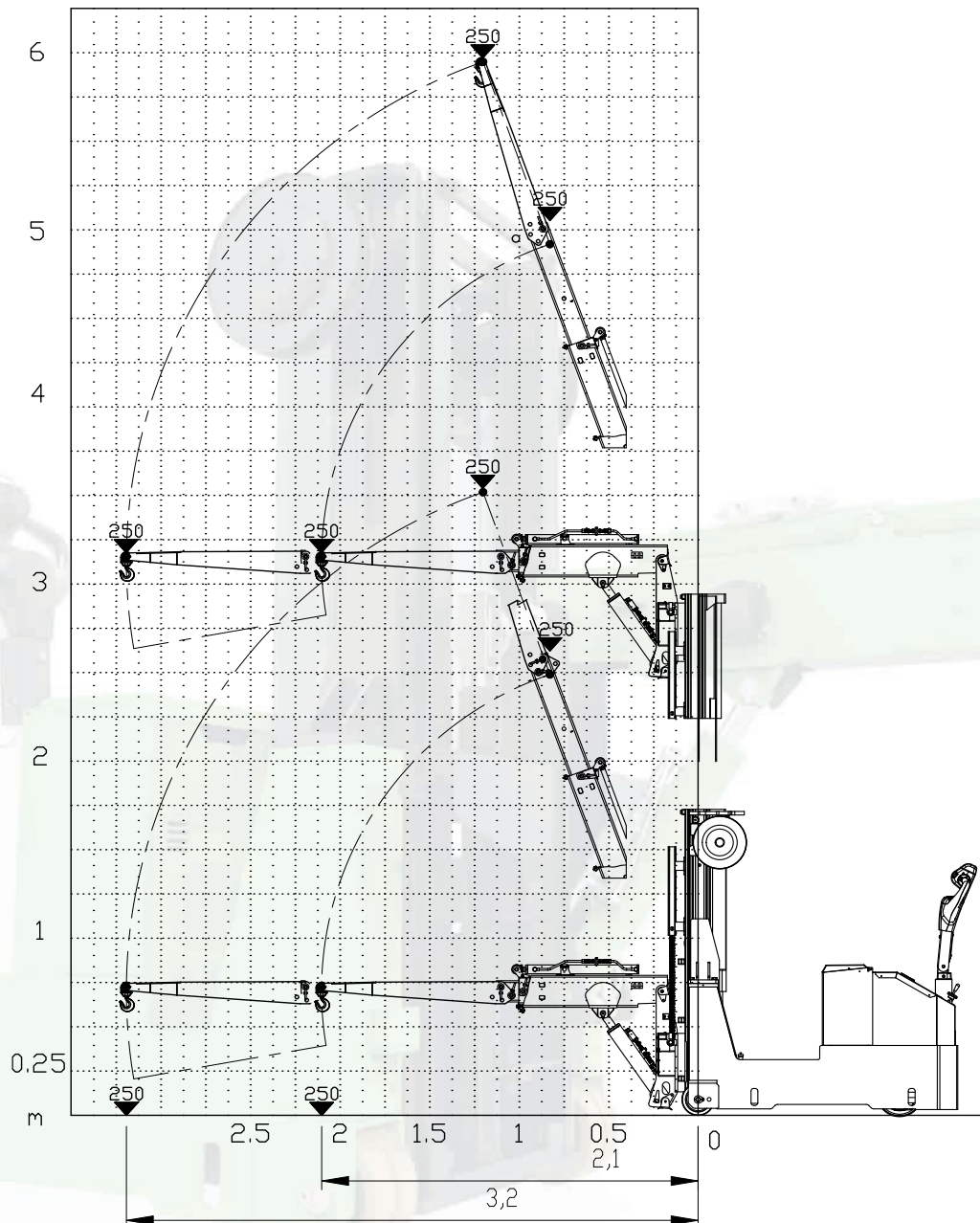
Maximum capacity  
**0,25t**

# Mechanical extension 0.25t



Load charts

Capacity in kg



Mechanical extension  
Hook  
Position 3

Maximum capacity  
**0,25t**